

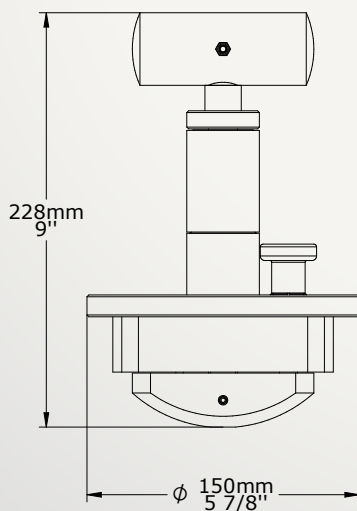
Art. : Twist anchor

Version: No.1 - 6/3/2019

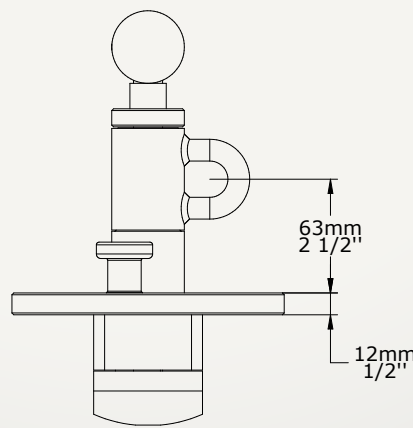
Art. no. : 16680

Description

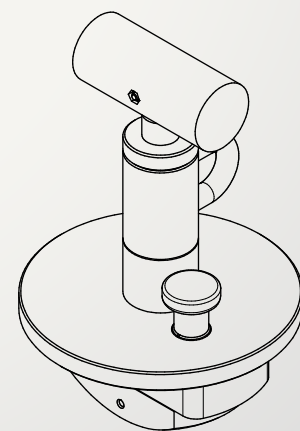
The Twist anchor is designed as a mobile fall arrest system to provide safety while working on top of shipping containers. It can be used as a single anchor point for fall arrest and restraint situations by one person at a time or in combination with the XSPlatforms mobile lifeline (MLL) up to two persons.



FRONT VIEW



SIDE VIEW



ISOMETRIC VIEW

COMPONENT SPECIFICATIONS

Art. no.	Material	Dimensions mm (inch)	Weight in kg (lbs)
16680	Aluminum, HMPE, stainless steel fasteners.	150x150x228 mm (5 7/8" x 5 7/8" x 9")	2.28 kg / 5.03 lbs.

COMPATIBILITY & WARNINGS

1. The Twist anchor is suitable for use in container's twist lock corners (ISO 1161).
2. It can be used in combination with the XSPlatforms mobile lifeline (art. 16500).
3. Do not use the Twist anchor for hoisting and lifting purposes or rope access.
4. The Twist anchor is not suitable for use on a single (stand-alone) container.
5. Only use the Twist anchor for fall arrest situations on 3 levels of containers or higher.
6. When used as a single anchor point, the Twist anchor is suitable for only one user at a time.

Standards and requirements

XSPlatforms fall arrest systems are designed to meet the requirements of:

1. EN795:2012 type C & CEN/TS 16415:2013 type C
2. OSHA 1910 subpart I & 1926 subpart M
3. ANSI Z359
4. CSA Z259
5. AS/NZS 1891.2 & AS/NSZ 5532

Contact

For questions or inconveniences about the product, the installation or use of it, please contact your supplier or XSPlatforms.

Supplier:

Disclaimer

XSPlatforms believes that the information in this technical data sheet is an accurate description of the typical uses of the product. XSPlatforms, however, disclaims any liability for incidental or consequential damages, which may result from the use of the product that are beyond its control. Customers must satisfy themselves as to the suitability of this product for their application. XSPlatforms maintains the right to change and alter the product composition and production process and thereby the performance characteristics of the product at all times without notice.

For questions about the installation of this product, please refer to the manual for details or contact your supplier or XSPlatforms.